

Specifications

SF 10C SUB

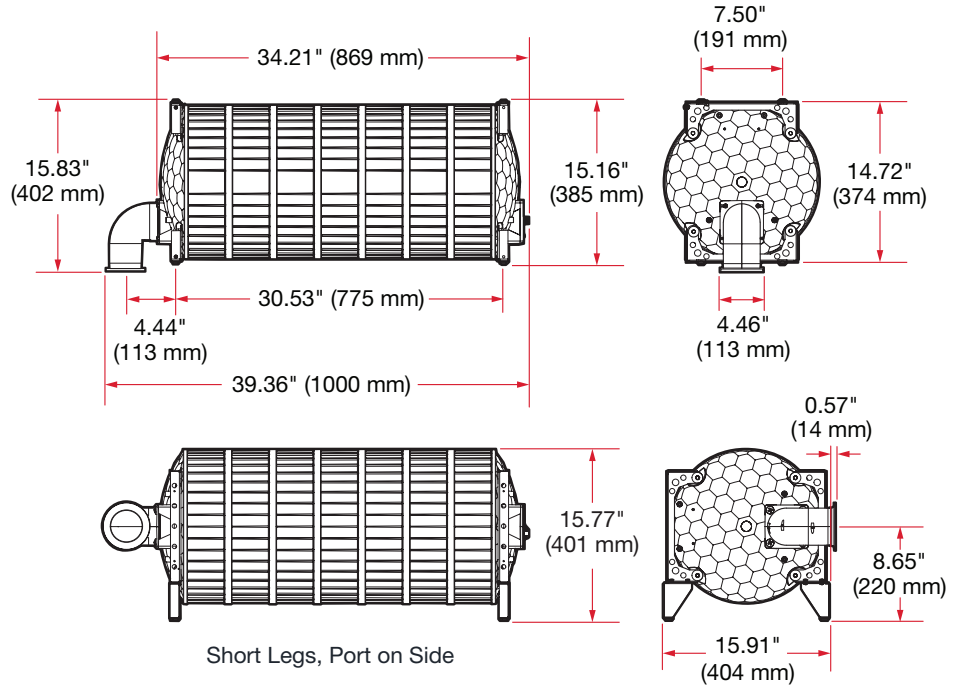
Audio/acoustic and electrical

Speaker type	In-ceiling subwoofer
Frequency range.....	25 Hz to 160 Hz, -10 dB, half space (per IEC 60268-5)
Power capacity	400 W (rms) continuous pink noise (per IEC 60268-5) 800 W (rms) continuous program
Rated maximum input voltage (MIV)	40.3 V (203 W at 8 ohms) (per AES2-2012)
Maximum SPL	
Corner loading ($\pi/2$).....	113 dB, 1 m (based on maximum input voltage) 117 dB, 1 m (linear)
Wall/ceiling or wall/floor junction (π).....	107 dB, 1 m (based on maximum input voltage) 111 dB, 1 m (linear)
Mid-ceiling (2π)	101 dB, 1 m (based on maximum input voltage) 105 dB, 1 m (linear)
Full space (4π)	95 dB, 1 m (based on maximum input voltage) 99 dB, 1 m (linear)
Nominal sensitivity	
Corner loading ($\pi/2$).....	96 dB SPL, 1 W/1 m
Wall/ceiling or wall/floor junction (π).....	90 dB SPL, 1 W/1 m
Mid-ceiling (2π)	84 dB SPL, 1 W/1 m
Full space (4π)	78 dB SPL, 1 W/1 m
Nominal impedance	8 ohms
Driver	(1) 10" (254 mm) paper cone with waterproof coating
Input connector	(1) 5 mm captive screw connector, 4-pole, for double wiring

General

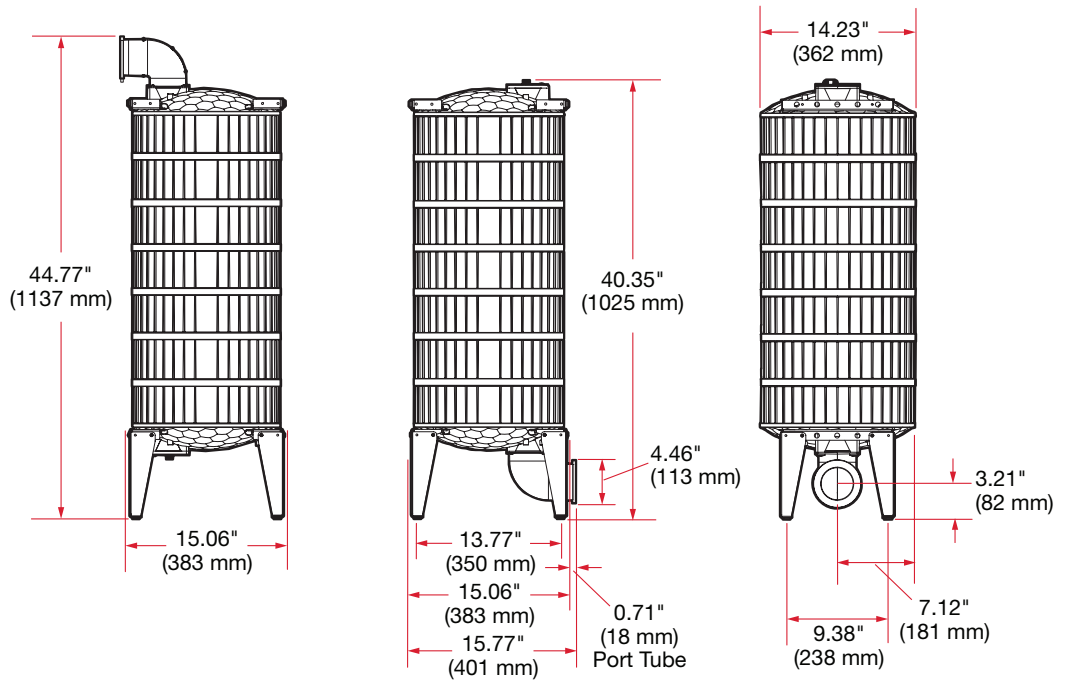
Package	1 speaker
Included accessories	Cutout template, setup guide, grille assembly kit, cable clamps, mounting cables (aircraft cables), isolation grommets, eye bolts
Temperature/humidity	Storage: -40 to +158 °F (-40 to +70 °C) / 10% to 90%, noncondensing Operating: +32 to +122 °F (0 to +50 °C) / 10% to 90%, noncondensing
Mounting	Mounts horizontally in the ceiling (standard, with included parts) or vertically on the floor (with optional SMK F SF 10C Plus kit). For unistrut mounting, the unit includes 0.5" (13 mm) diameter mounting holes 1.875" (48 mm) apart on center.
Enclosure type	Plenum rated, fire resistant (UL 94V-0) composite with steel outer mesh and metal grille
Enclosure dimensions	
Without port tube	15.16" H x 14.23" W x 34.21" L (385 mm H x 362 mm W x 869 mm L)
With port tube	15.83" H x 14.23" W x 39.36" L (402 mm H x 362 mm W x 1000 mm L)

Specifications • SF 10C SUB (Continued)



NOTE: These dimensions exclude eye bolts.

- Cutout dimensions 7.6" (193 mm) diameter (for the grille adapter kit)
- Horizontal mounting height 15.97" (406 mm) nominal distance from the bottom of the ceiling tile to the top of the unit
- Mounting height With optional SMK F SF 10C Plus floor mounting kit
 - With port on top 44.77" (1137 mm) from the bottom of the mounting feet to the top of the port
 - With port on bottom 40.35" (1025 mm) from the bottom of the mounting feet to the top of the port
 - With port on side 15.77" (401 mm) from the bottom of the enclosure to the top of the enclosure



Specifications • SF 10C SUB (Continued)

Product weight	
SF 10C SUB.....	38.0 lbs (17.2 kg)
Grille assembly	0.3 lbs (0.1 kg)
Regulatory compliance.....	CE, RoHS, UL 1480A, UL 2043, WEEE
Product warranty	5 years parts and labor

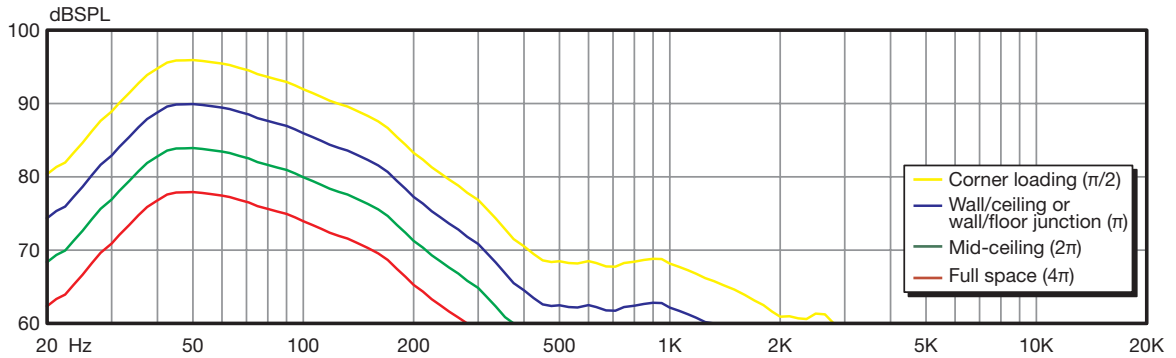
NOTE: All nominal levels are at ±10%.

NOTE: Specifications are subject to change without notice.

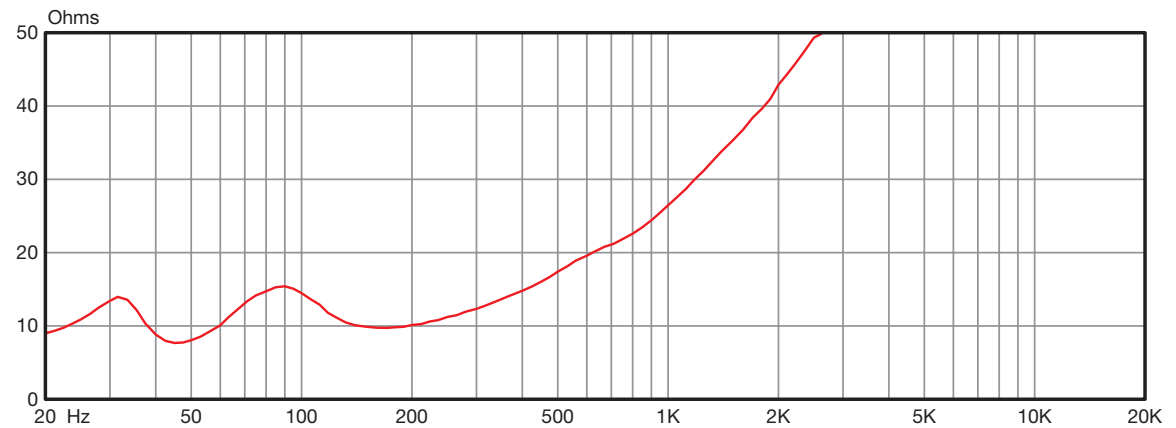
NOTE: Shipping weights and dimensions are available at www.extron.com.

SF 10C SUB RESPONSE GRAPHS – FREQUENCY AND IMPEDANCE

SPL vs. FREQUENCY – 1 WATT @ 1 METER RESPONSE, Loading as indicated by the color key



IMPEDANCE vs. FREQUENCY



5850-D7