

Specifications

TLCA 1

USB

Connectors (1) Male micro-B

Digital input

Quantity/type 1 digital input
Connector (1) 3.5 mm direct insertion captive screw connector, 2 pole
Input voltage range 0 to 24 VDC, clamped at +30 VDC
Input impedance $\geq 10k$ ohms
Programmable pullup 1k ohms to +5 VDC
Threshold low to high 2.8 VDC
Threshold high to low 2.0 VDC

Serial

Quantity/type 2 bidirectional RS-232
Connector (2) 3.5 mm direct insertion captive screw connector, 5 pole
Baud rate and protocol 300 to 115200 baud (9600 baud = default); 8 data bits (default) or 7 data bits (Tx only)
1 (default) or 2 stop bits; no parity (default), even, odd

NOTE: This port supports software flow control. The default is no flow control.

Relay

Quantity/type 2 normally open relays
Connector (1) 3.5 mm direct insertion captive screw connector, 3 pole
Relay control contact rating 24 VDC, 1 A

IR

Quantity/type TTL level (0 to 5 V) infrared (carrier or non-carrier) up to 300 kHz
Connector (1) 3.5 mm direct insertion captive screw connector, 2 pole
IR output carrier frequency 30 kHz to 300 kHz

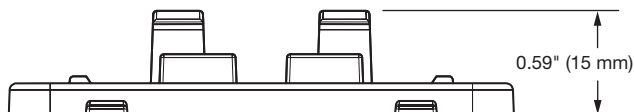
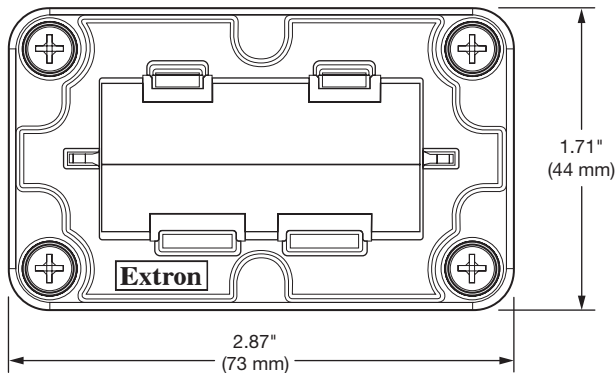
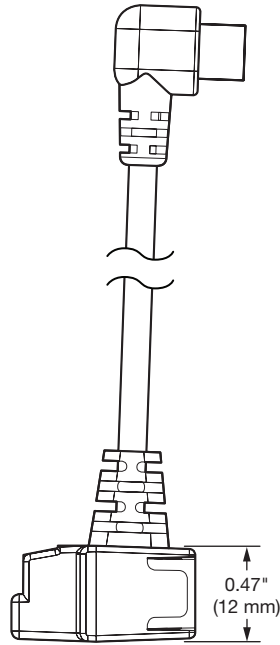
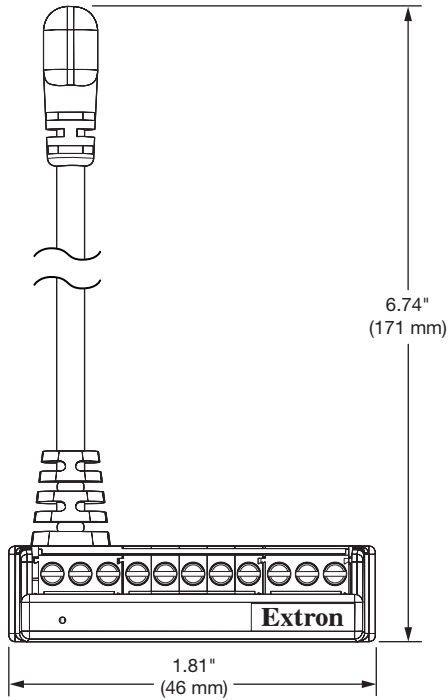
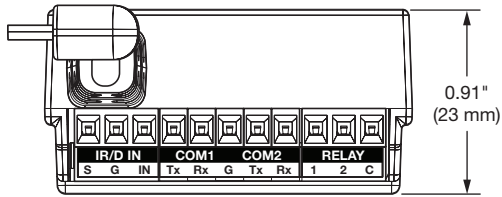
General

Power input requirements USB
Temperature/humidity Storage: -4 to +140 °F (-20 to +60 °C) / 10% to 90%, noncondensing
Operating: +32 to +104 °F (0 to +40 °C) / 10% to 90%, noncondensing
Cooling Convection
Enclosure type Plastic

Specifications • TLCA 1 (Continued)

Enclosure dimensions 0.47" H x 1.81" W x 0.91" D
 6.74" H with USB cable fully extended

Mounting clip dimensions..... 0.59" H x 2.87" W x 1.71" D



Specifications • TLCA 1 (Continued)

Regulatory compliance..... CE, C-Tick, FCC Class B, ICES, RoHS, VCCI, WEEE
Warranty 3 years parts and labor

NOTE: All nominal levels are at $\pm 10\%$.

NOTE: Specifications are subject to change without notice.

NOTE: Shipping weights and dimensions are available at www.extron.com.

5379-D3