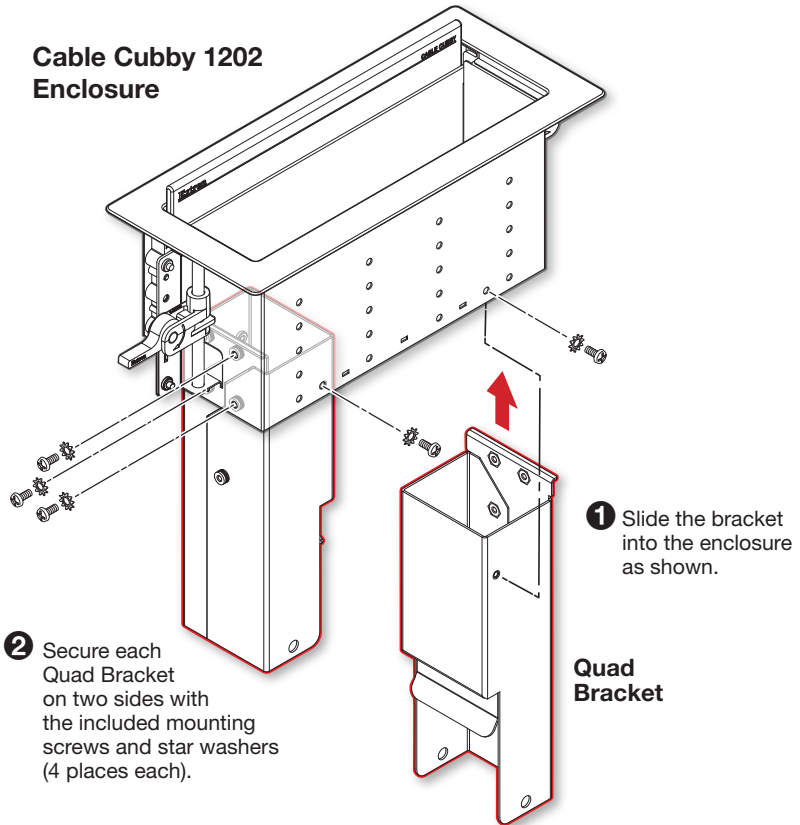


Retractor SM Mount • Installation Guide

The Retractor SM modules require a Quad or Triple Bracket for installation in a compatible enclosure. For installation, see the appropriate enclosure installation guide and see the Retractor SM Installation Guide for the Retractor. Both are available at www.extron.com.

Retractor SM Mount - Quad

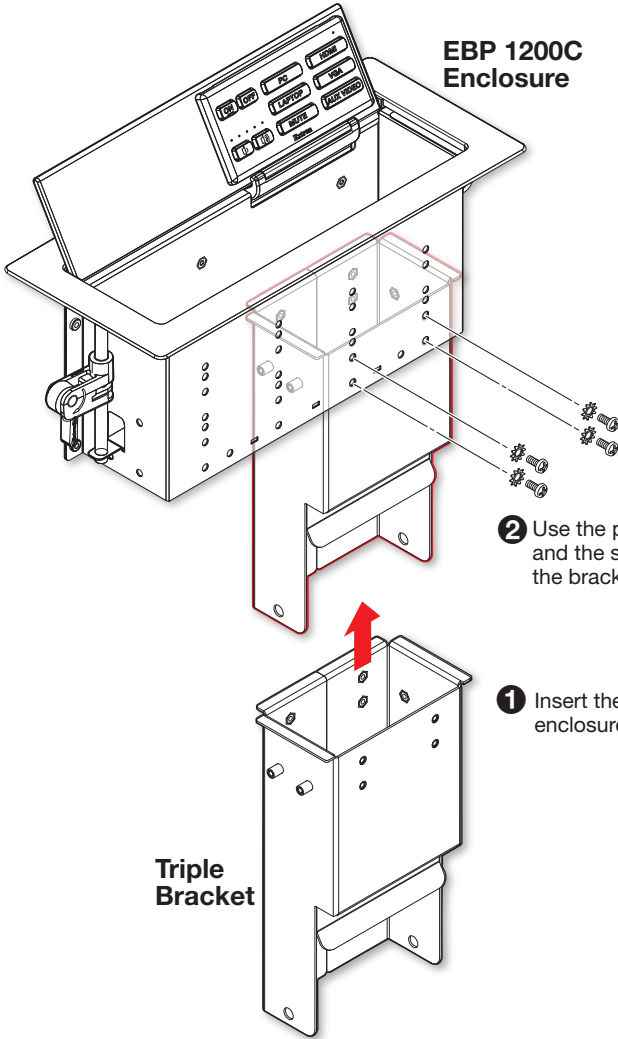
Each Quad Bracket can mount up to two Retractor SMs on either side of a centrally located Power Module.



Retractor SM Mount • Installation Guide (Continued)

Retractor SM Mount - Triple

A Triple Bracket can mount up to three Retractor SMs on either side of a compatible enclosure.



NOTE: Optionally, the Triple Bracket can be turned 180 degrees and mounted, depending on the application need.